

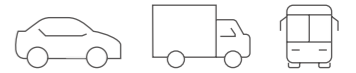


Ultra Compact  
Enhanced Durability

# BCA RECIPROCATING COMPRESSOR

**ECO  
FRIENDLY  
REFRIGERANT**

Small, has it all.



**LG Electronics Component Solutions**

4300 North Point Pkwy, Alpharetta, GA 30022

**For more information**

Visit <https://www.lg.com/global/business/compressor-motor>

E-mail [lg.compressors@lge.com](mailto:lg.compressors@lge.com)

For continual product development, LG reserves the right to change the specifications without notice.  
Copyright © 2024 LG Electronics Inc. All Rights Reserved.



# BCA Reciprocating Compressor Highlight



## Why LG BCA Reciprocating Compressor?

The LG BCA Series is the smallest compressor in LG's reciprocating compressor platform, offering powerful cooling performance with a compact and lightweight design. The BC series significantly improves its durability, reducing vibration and noise that can occur while the vehicle is driving. Also, it is available with AC/DC input, applied in various applications where refrigeration needs.



## Features and Benefits

### Efficient Solution for Energy Saving Efficient

The BC Series is a variable speed compressor that can adjust its energy use. Also its extended operation range down to 35hz allow the refrigeration system operate more efficiently. When it applied to the battery-driven product, it is suitable for longer battery-use time.

### Durability

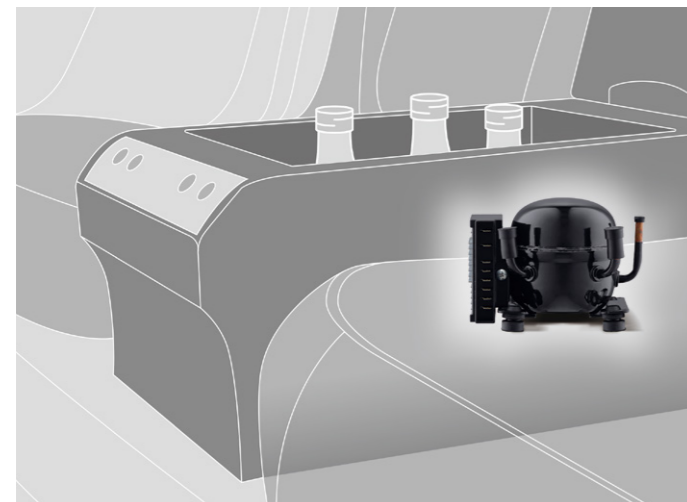
The compressor's enhance its structures considering the vehicle driving conditions, minimized vibration and noise level when compressor tilted.

### Best Choice for Compact Application

LG's BC Series is available with AC/DC input, R600a, and R134a refrigerant. From the water purifier to the mobile refrigerator, the BC series is the best choice for any type of compact refrigeration without sacrificing any more space.

## Various Applications

Thanks to its extremely compact size, it can be equipped in any category of refrigerator.



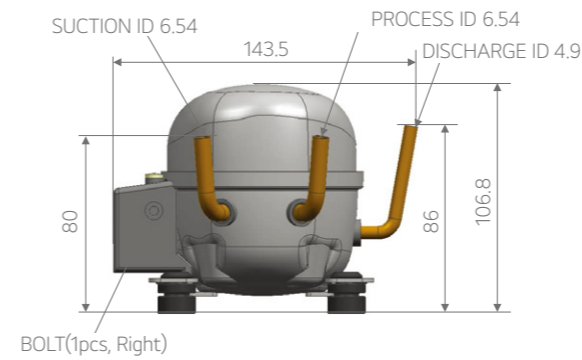
AC (R600a)		
Water purifier	Beverage machine	Medical refrigerator
DC (R134a)		
Sedan refrigerator	Portable refrigerator for RV	Bus refrigerator
Yacht refrigerator	Air craft refrigerator	

## Specifications & Dimension

Application : LBP

Refrigerant	Series	Model	Motor type	Voltage [V]	Frequency [Hz]	Test condition	Speed range [RPM]	Speed [RPM]	Performance					Dimension	
									Capacity			EER [Btu/W-hr]	COP [W/W]	Height [mm]	
									[Kcal/hr]	[Btu/W-hr]	[Watts]				
R134a	BCA	BCA015LAWV	BLDC	12 / 24 DC	50 / 60	2,700 ~ 4,500	4,200	ASHRAE -23.3 °C / 54.7°C	28	112	33	4.18	1.22	98	
							3,600		25	100	29	3.70	1.08		
							3,000		21	83	24	3.26	0.95		
							2,400		17	67	20	3.04	0.89		
		BCA018LAWV	BLDC	12 / 24 DC	50 / 60	2,700 ~ 4,500	2,700 ~ 4,500	4,200	ASHRAE -23.3 °C / 54.6°C	42	165	48	3.91	1.15	98
								3,600		38	151	44	3.44	1.01	
								3,000		35	139	41	3.04	0.89	
								2,400		29	117	34	2.84	0.83	
		BCA018LAMV	BLDC	220 ~ 240	50 / 60	2,400 ~ 4,200	2,400 ~ 4,200	4,200	ASHRAE -23.3 °C / 54.5°C	42	165	48	4.10	1.20	98
								3,600		38	151	44	4.37	1.28	
								3,000		35	139	41	4.37	1.28	
								2,400		29	117	34	4.46	1.31	
BCA018LBWV	BLDC	100 ~ 127	50 / 60	2,400 ~ 4,200	2,400 ~ 4,200	4,200	ASHRAE -23.3 °C / 54.5°C	42	165	48	4.02	1.18	98		
						3,600		38	151	44	4.28	1.25			
						3,000		35	139	41	4.28	1.25			
						2,400		29	117	34	4.37	1.28			
R600a	BCA030NAMV	BLDC	220 ~ 240	50 / 60	2,400 ~ 4,200	2,400 ~ 4,200	4,200	ASHRAE -23.3 °C / 54.4 °C	52	206	60	5.04	1.48	98	
							3,600		49	193	57	5.08	1.49		
							3,000		41	161	47	5.07	1.48		
							2,400		30	118	35	4.26	1.25		
	BCA030NAMV	BLDC	220 ~ 240	50 / 60	2,400 ~ 4,200	2,400 ~ 4,200	2,400 ~ 4,200	4,200	ASHRAE -23.3 °C / 54.4 °C	52	206	60	4.62	1.35	98
								3,600		49	193	57	4.67	1.37	
								3,000		41	161	47	4.62	1.35	
								2,400		30	118	35	3.92	1.15	

### · AC



### · DC

